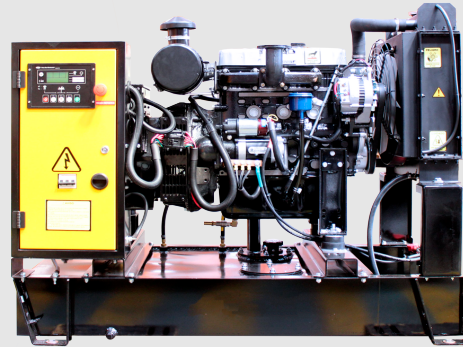


MODEL	POWER		VOLTAGE	FREQUENCY	POWER FACTOR	CURRENT
	PRIME	STAND BY				
MP-20E	19.1 Kw/23.9 KVA	21.2 Kw/26 KVA	208V	60Hz	0.8	73 A
MP-20E	19.1 Kw/23.9 KVA	21.2 Kw/26 KVA	440V	60Hz	0.8	35 A
MP-20E	19.1 Kw/23.9 KVA	21.2 Kw/26 KVA	480V	60Hz	0.8	32 A



SILENT GENERATOR SET



OPEN GENERATOR SET

* Note: All pictures shown are for illustration purpose only. Actual product may vary due to product enhancement.

Specifications

Generator Set

Model	MP-20E	
Engine	PERKINS 404D-22G Tier 4 interim	
Alternator	STAMFORD SOL2-M1	
Control Panel	Electronic	
Phases	Three-phase	
Fuel Tank	Open: 27 Gallons / Silent: 25 Gallons	
Electric System	12V.	
Frequency	60Hz	50Hz
Cooling Fan Air flow	40 m3/min	29 m3/min
Combustion Air flow	1.74 m3/min	1.45 m3/min
Exhaust Gas flow	4.76 m3/min	3.94 m3/min
Exhaust Gas temperature	510°C	505°C

Silent Genset Noise Level @ 7m	Maximum	Ambient
	65 +/- 2 dBA	54 dBA

Engine

Number of Cylinders	4 in-line
Governor Type	Mechanical
Cycle	4-Stroke
Aspiration	Naturally aspirated
Fuel	Diesel
Combustion System	Indirect Injection
Cooling Method	Water Cooled
Bore	84.0 mm
Stroke	100.0 mm
Displacement	2216cc
Compression Ratio	23.3:1
Lubrication Sys. Capacity	10.6 liters
Cooling Sys. Capacity	7.0 liters

Fuel Consumption

Engine Speed	1800 RPM	1500 RPM
	l/hr	l/hr
Standby Power (2)	6.90	6.10
Prime Power (1)	6.20	5.30
75% Prime Power (1)	4.80	4.00
50% Prime Power (1)	3.50	2.90

Alternator

Insulation System	Class "H"
Exciter Type	Self exciter
Voltage Regulation Card	AS540 ± 1.0%
Protection Class	IP 23

Technical Standards

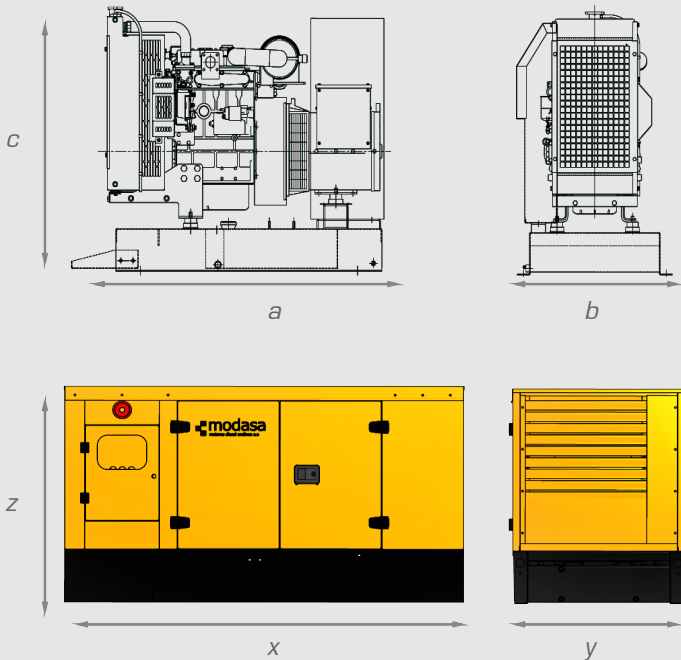
Engine :	ISO 3046, BS 5514, DIN 6271
Alternator :	IEC EN 60034, BS 5000, IEC 34 VDE 0530, NEMA MG1-32 CSAC22, 2-100, ASI 1359
Generator Set :	ISO 8528, ISO 9001:2015

(1) Prime Power: Available power under variable load for unlimited hours per year (ISO8528-1). Allows 10% power surge for one hour, every 12 hours.

(2) Standby Power: Available power under variable load, whenever the commercial network breaks down. Does not accept surges (ISO8528-3); it has 500 hours usage limit per year or 300 continuous hours instead.

Dimensions

Dimensions and Weight	a	b	c	Weight	Exh. Ø
	1433 mm	764 mm	1270 mm	520 Kg	2"
Dimensions and Weight	x	y	z	Weight	Exh. Ø
	1760 mm	939 mm	1191 mm	730 Kg	2.5"



Control Panel



Outfitted with the most recent age electronic digital control panel, it allows starting, controlling, protecting and stopping the generator set in manual and automatic modes. Performs automatic transfer.

Measurements shown with alpha-numeric characters on the digital display:

- Voltage of the three phases L - L y L - N.
- Current of the three phases L1, L2, L3.
- Frequency.
- Rotation speed.
- Battery voltage.
- Working time.
- Oil pressure.
- Cooling temperature.

Optional Enhancements

- Residential muffler. (included in Silent Genset)
- Monoblock water heater.
- Alternator dehumidifying resistance.
- Electronic governance.
- Automatic transfer board.
- Variety of voltages.
- Remote speed/voltage potentiometer.
- Fuel level electric meter.

Protection:

- Starter failure.
- Stop failure.
- Low oil pressure.
- High engine temperature.
- Low / High frequency.
- Low / High generator voltage.
- Low / High battery voltage.
- Emergency stop.
- Overload failure.
- CAN Diagnosis.

M: Modasa / P: PERKINS Engine / 20: Genset Power Reference / Q: 50 Hz 1500 RPM / I: Silent / M: Single-phase / E: EPA Tier

UQ-POWER
Energy Equipment

3785 Duck Creek Drive
Po Box 32230
Stockton, Ca. 95215
(800) 760-9598
www.uq-power.com



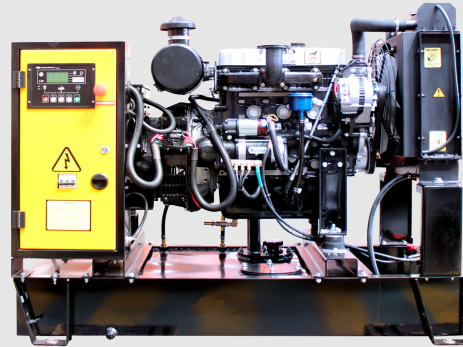
modasa

Plant: Lurin Peru

MODEL	POWER		VOLTAGE	FREQUENCY	POWER FACTOR	CURRENT
	PRIME	STAND BY				
MP-20EM	18.2 Kw/18.2 KVA	20.1 Kw/20.1 KVA	240V	60Hz	1.0	84 A



SILENT GENERATOR SET



OPEN GENERATOR SET

* Note: All pictures shown are for illustration purpose only. Actual product may vary due to product enhancement.

Specifications

Generator Set

Model	MP-20EM	
Engine	PERKINS 404D-22G Tier 4 interim	
Alternator	STAMFORD SOL2-P1	
Control Panel	Electronic	
Phases	Single-phase	
Fuel Tank	Open: 27 Gallons / Silent: 25 Gallons	
Electric System	12V.	
Frequency	60Hz	50Hz
Cooling Fan Air flow	40 m3/min	29 m3/min
Combustion Air flow	1.74 m3/min	1.45 m3/min
Exhaust Gas flow	4.76 m3/min	3.94 m3/min
Exhaust Gas temperature	510°C	505°C

Silent Genset	Maximum	Ambient
Noise Level @ 7m	65 +/- 2 dBA	54 dBA

Engine

Number of Cylinders	4 in-line
Governor Type	Mechanical
Cycle	4-Stroke
Aspiration	Naturally aspirated
Fuel	Diesel
Combustion System	Indirect Injection
Cooling Method	Water Cooled
Bore	84.0 mm
Stroke	100.0 mm
Displacement	2216cc
Compression Ratio	23.3:1
Lubrication Sys. Capacity	10.6 liters
Cooling Sys. Capacity	7.0 liters

Fuel Consumption

Engine Speed	1800 RPM	1500 RPM
	l/hr	l/hr
Standby Power (2)	6.90	6.10
Prime Power (1)	6.20	5.30
75% Prime Power (1)	4.80	4.00
50% Prime Power (1)	3.50	2.90

Alternator

Insulation System	Class "H"
Exciter Type	Self exciter
Voltage Regulation Card	AS540 ± 1.0%
Protection Class	IP 23

Technical Standards

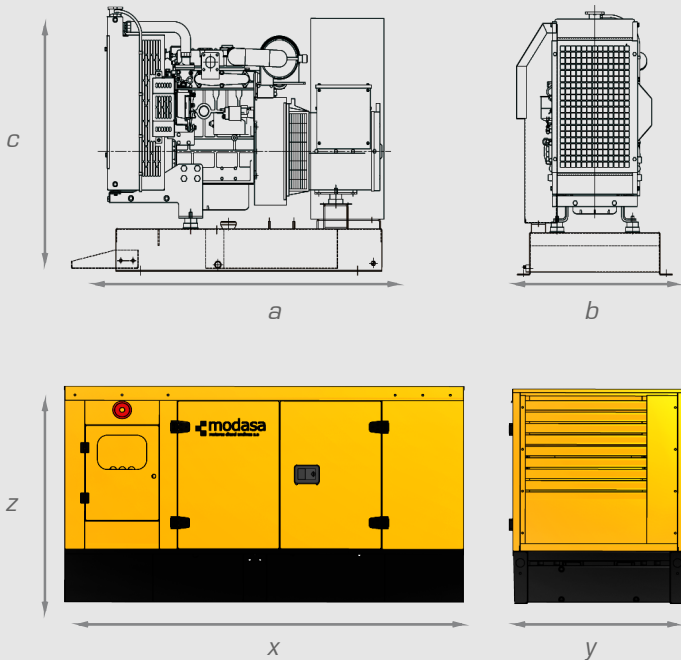
Engine :	ISO 3046, BS 5514, DIN 6271
Alternator :	IEC EN 60034, BS 5000, IEC 34 VDE 0530, NEMA MG1-32 CSAC22, 2-100, ASI 1359
Generator Set :	ISO 8528, ISO 9001:2015

(1) Prime Power: Available power under variable load for unlimited hours per year (ISO8528-1). Allows 10% power surge for one hour, every 12 hours.

(2) Standby Power: Available power under variable load, whenever the commercial network breaks down. Does not accept surges (ISO8528-3); it has 500 hours usage limit per year or 300 continuous hours instead.

Dimensions

Dimensions and Weight	a	b	c	Weight	Exh. Ø
	1433 mm	764 mm	1270 mm	540 Kg	2"
Dimensions and Weight	x	y	z	Weight	Exh. Ø
	1760 mm	939 mm	1191 mm	800 Kg	2.5"



Control Panel



Outfitted with the most recent age electronic digital control panel, it allows starting, controlling, protecting and stopping the generator set in manual and automatic modes. Performs automatic transfer.

Measurements shown with alpha-numeric characters on the digital display:

- Voltage of the three phases L - L y L - N.
- Current of the three phases L1, L2, L3.
- Frequency.
- Rotation speed.
- Battery voltage.
- Working time.
- Oil pressure.
- Cooling temperature.

Optional Enhancements

- Residential muffler. (included in Silent Genset)
- Monoblock water heater.
- Alternator dehumidifying resistance.
- Electronic governance.
- Automatic transfer board.
- Variety of voltages.
- Remote speed/voltage potentiometer.
- Fuel level electric meter.

Protection:

- Starter failure.
- Stop failure.
- Low oil pressure.
- High engine temperature.
- Low / High frequency.
- Low / High generator voltage.
- Low / High battery voltage.
- Emergency stop.
- Overload failure.
- CAN Diagnosis.

M: Modasa / P: PERKINS Engine / 20: Genset Power Reference / Q: 50 Hz 1500 RPM / I: Silent / M: Single-phase / E: EPA Tier

UQ-POWER
Energy Equipment

3785 Duck Creek Drive
Po Box 32230
Stockton, Ca. 95215
(800) 760-9598
www.uq-power.com



modasa
Plant: Lurín Peru